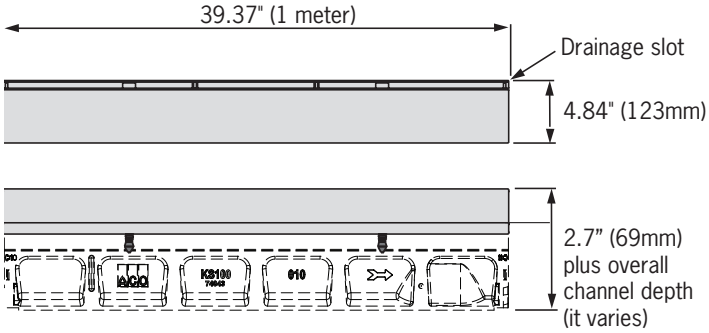
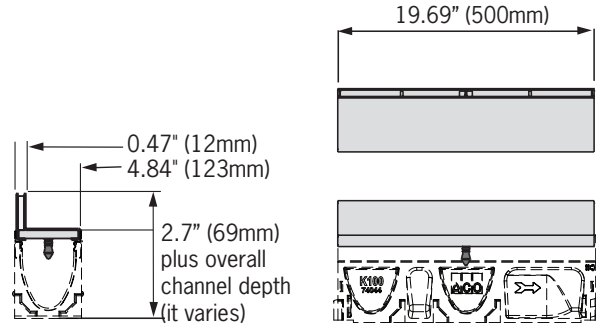




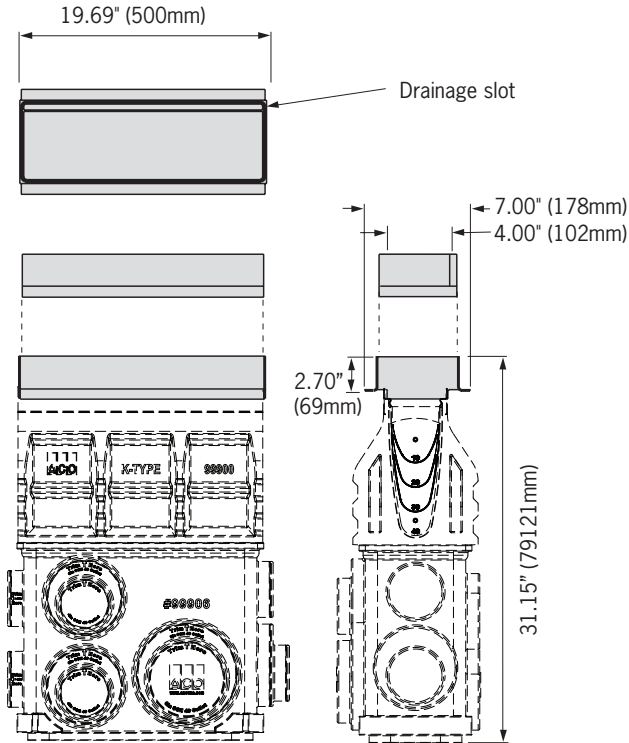
One meter unit



Half meter unit



Access unit (must be used with catch basin and can also be used with channels)



ACO Specification Information

ACO DRAIN

Brickslot - stainless steel



ACO Specification Information

Description	Part No.	Invert Depth		Weight lbs.
		inches	mm	
Brickslot (stainless steel) - 39.37" (1m)	99225	2.70	69	18.4
Brickslot (stainless steel) - 19.69" (0.5m)	99227	2.70	69	9.2
Brickslot access unit (stain. steel) - 19.69" (0.5m)	99224	2.70	69	16.9
QuickLok/PowerLok grate removal tool	01318	-	-	0.3

Notes:

1. For use with K100 and KS100 channels, and Series 900 catch basins.
2. Add 2.7" (69mm) to channel invert for total channel invert.
3. Brickslot can also be used with H100K-10 and H100KS-10.
4. Only access covers can be removed once Brickslot has been installed.

Specifications

General

The surface drainage system shall be ACO Drain Brickslot, as manufactured by ACO Polymer Products, Inc. or equal approved.

Materials

The Brickslot top is manufactured from Grade 304 stainless steel.

The nominal clear opening for Brickslot slot is 7/16" (11mm) with overall width of 4.84" (123mm). Tapered slot prevents debris from being trapped. For use with K100 and KS100 channels. See separate ACO Spec info sheet for channel details. Brickslot is secured by 'QuickLok' boltless locking system. Access units have frames that fit catch basin or channels with a separate cover unit that can be removed for maintenance.

Installation

The trench drain system shall be installed in accordance with the manufacturer's installation instructions and recommendations.

ACO Polymer Products, Inc.

Northeast Sales Office

P.O. Box 245
Chardon, OH 44024
Tel: (440) 285-7000
Toll free: (800) 543-4764
Fax: (440) 285-7005

West Sales Office

P.O. Box 12067
Casa Grande, AZ 85130
Tel: (520) 421-9988
Toll Free: (888) 490-9552
Fax: (520) 421-9899

Southeast Sales Office

4211 Pleasant Road
Fort Mill, SC 29708
Toll free: (800) 543-4764
Fax: (803) 802-1063

Follow us on



Electronic Contact:

info@ACODrain.us
www.ACODrain.us



© April 19, 2013 ACO Polymer Products, Inc. This information is believed to be accurate but it is not guaranteed to be so. We cannot assume liability for results that buyer obtains with our product since conditions of use are beyond the control of the company. It is the customer's responsibility to evaluate suitability and safety of product for his own use. ACO Polymer Products Inc. reserves the right to change the product and specifications without notice.