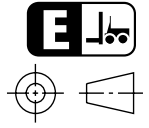
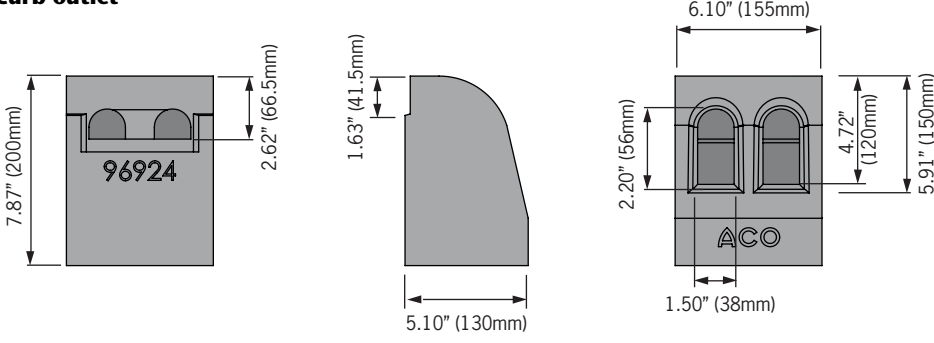


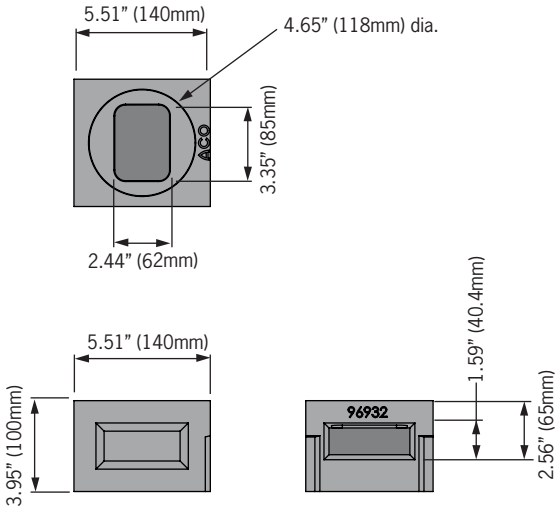
Cross Sidewalk Drain



Curb outlet*

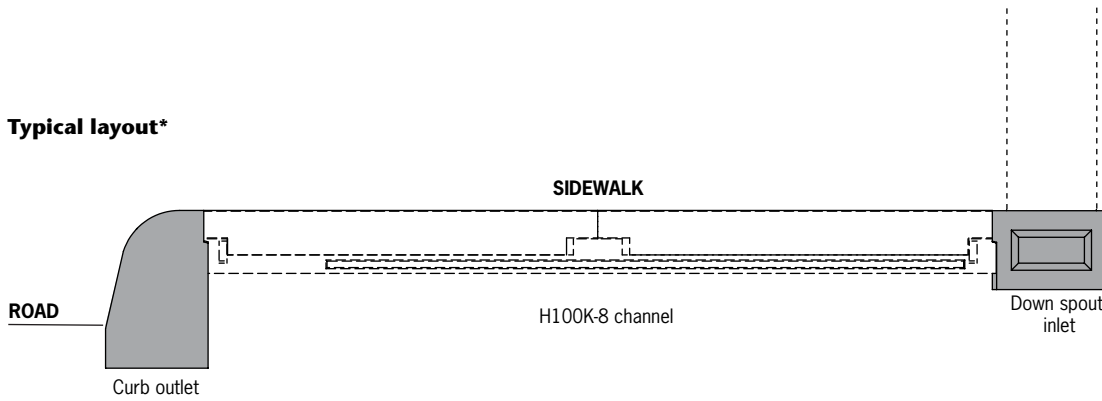


Down spout inlet*



*For use with H100K-8 channels

Typical layout*



ACO Specification Information

ACO DRAIN

CSD trench drain system



ACO Specification Information

Description	Part No.	Invert Depth		Weight
		inches	mm	lbs.
Curb outlet - Type 6	96924	4.72	120	12.7
Down spout inlet	96932	2.56	65	6.0

Notes:

1. For H100K-8 channel information see separate spec information sheet

Specifications

General

The surface drainage system shall be ACO Drain Cross Sidewalk Drain for use with ACO H100K-8, as manufactured by ACO Polymer Products, Inc. or equal approved.

Materials

The units shall be manufactured from polyester polymer concrete with minimum properties as follows:

Compressive strength: 14,000 psi
Flexural strength: 4,000 psi
Water absorption 0.07%
Frost proof
Salt proof
Dilute acid and alkali resistant

The curb outlet has a Type 6 profile and connects to the male end of the H100K-8 channel. The down spout inlet connects to the female end of the H100K-8 channel and has the option to take square or round down spouts.

Channels & Grates

H100K-8 channel and grates should be specified. See separate ACO Spec Info sheets for details.

Installation

The system shall be installed in accordance with the manufacturer's installation instructions and recommendations.

ACO Polymer Products, Inc.

Northeast Sales Office

P.O. Box 245
Chardon, OH 44024
Tel: (440) 285-7000
Toll free: (800) 543-4764
Fax: (440) 285-7005

West Sales Office

P.O. Box 12067
Casa Grande, AZ 85130
Tel: (520) 421-9988
Toll Free: (888) 490-9552
Fax: (520) 421-9899

Southeast Sales Office

4211 Pleasant Road
Fort Mill, SC 29708
Toll free: (800) 543-4764
Fax: (803) 802-1063

Follow us on



Electronic Contact:

info@ACODrain.us
www.ACODrain.us



© May 6, 2013 ACO Polymer Products, Inc. This information is believed to be accurate but it is not guaranteed to be so. We cannot assume liability for results that buyer obtains with our product since conditions of use are beyond the control of the company. It is the customer's responsibility to evaluate suitability and safety of product for his own use. ACO Polymer Products Inc. reserves the right to change the product and specifications without notice.