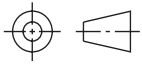
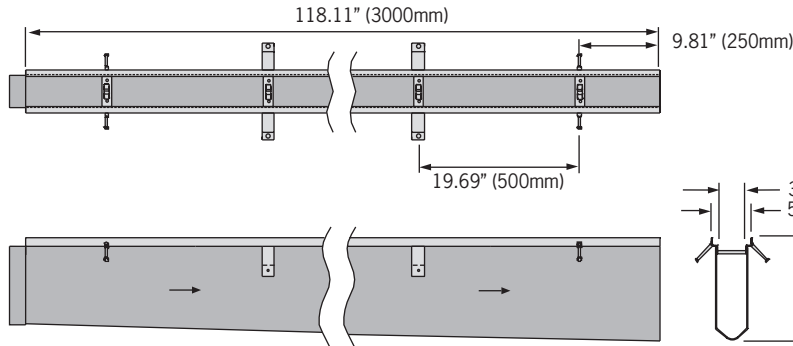


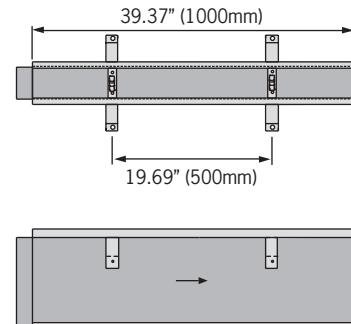
**FlowDrain - FG100 with Galvanized Steel Frame**



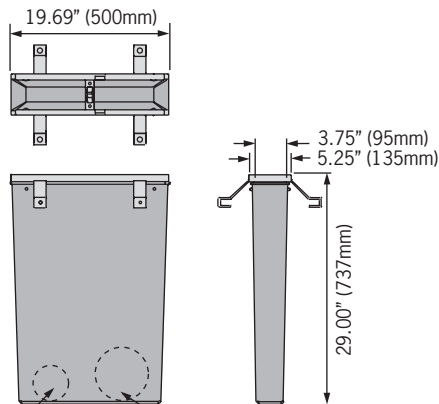
**Three meter channel**



**One meter channel**

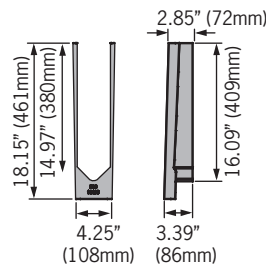


**In-line catch basin**

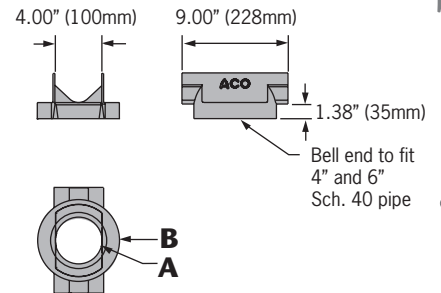


**E** 4" outlet cut at deepest invert  
**F** 6" outlet cut at deepest invert  
 Total capacity = 9.00 gallons

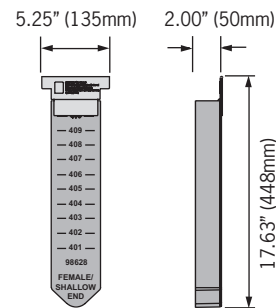
**F900 channel collar**



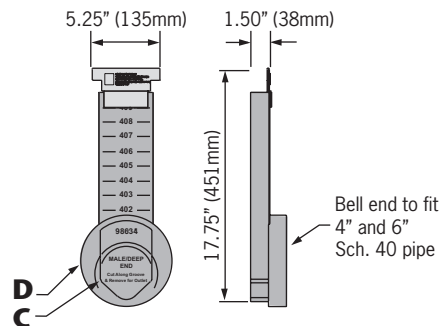
**Vertical outlet adapter**



**Closing cap - female**



**Closing/outlet cap - male**



**Outlet flow rates**

Outlet	Product	Outlet size (Sch. 40)	Invert Depth	GPM	CFS
<b>A</b>	Vertical outlet - F401	4" round	7.50	147	0.32
<b>A</b>	Vertical outlet - F410	4" round	17.63	228	0.50
<b>B</b>	Vertical outlet - F401	6" round	7.50	244	0.56
<b>B</b>	Vertical outlet - F410	6" round	17.63	374	0.86
<b>C</b>	Outlet cap - F402	4" round	8.63	138	0.32
<b>C</b>	Outlet cap - F410	4" round	17.63	213	0.49
<b>D</b>	Outlet cap - F404	6" round	10.88	257	0.59
<b>D</b>	Outlet cap - F410	6" round	17.63	346	0.80
<b>E</b>	F900* catch basin	4" round	28.88	282	0.63
<b>F</b>	F900* catch basin	6" round	28.88	623	1.39

**Note:** These are the pipe flow rates at the specified outlet, **NOT** channel flow rates.  
 \*Catch basin flow rates are without trash bucket - using trash bucket reduces flow.

ACO Specification Information



# ACO DRAIN

## FG100 trench drain system with galvanized steel frame

ACO Specification Information

Description	Part No.	Invert Depth		Weight lbs.
		inches	mm	
F401 Sloped channel - 118" (3m)	93190	6.38 - 7.50	162 - 191	11.0
F402 Sloped channel - 118" (3m)	93209	7.50 - 8.63	191 - 219	12.9
F403 Sloped channel - 118" (3m)	93217	8.63 - 9.75	219 - 248	14.8
F404 Sloped channel - 118" (3m)	93225	9.75 - 10.88	248 - 276	16.7
<b>F404N Neutral channel - 118" (3m)</b>	<b>93233</b>	<b>10.88 - 10.88</b>	<b>276 - 276</b>	<b>18.6</b>
<b>F4045N Neutral channel - 39.37" (1m)</b>	<b>93241</b>	<b>10.88 - 10.88</b>	<b>276 - 276</b>	<b>6.7</b>
F405 Sloped channel - 118" (3m)	93250	10.88 - 12.00	276 - 305	20.5
F406 Sloped channel - 118" (3m)	93268	12.00 - 13.13	305 - 333	22.4
F407 Sloped channel - 118" (3m)	93276	13.13 - 14.25	333 - 362	24.3
<b>F407N Neutral channel - 118" (3m)</b>	<b>93284</b>	<b>14.25 - 14.25</b>	<b>362 - 362</b>	<b>26.2</b>
<b>F4075N Neutral channel - 39.37" (1m)</b>	<b>93292</b>	<b>14.25 - 14.25</b>	<b>362 - 362</b>	<b>9.4</b>
F408 Sloped channel - 118" (3m)	93301	14.25 - 15.38	352 - 391	28.1
F409 Sloped channel - 118" (3m)	93313	15.38 - 16.50	391 - 419	30.0
F410 Sloped channel - 118" (3m)	93325	16.50 - 17.63	419 - 448	31.9
<b>F410N Neutral channel - 118" (3m)</b>	<b>93337</b>	<b>17.63 - 17.63</b>	<b>448 - 448</b>	<b>33.8</b>
<b>F4105N Neutral channel - 39.37" (1m)</b>	<b>93349</b>	<b>17.63 - 17.63</b>	<b>448 - 448</b>	<b>12.1</b>
<b>Channel Frames</b>				
Galvanized steel frame - 118" (3m)	98572	-	-	31.0
Galvanized steel frame - 39.37" (1m)	95232	-	-	11.0
<b>In-line Catch Basins</b>				
F900 In-line catch basin - 19.69" (0.5m)	98407	28.88	734	16.0
F900 Galvanized steel catch basin frame	98406	-	-	5.0
F900 Channel/Catch basin collar	98163	-	-	0.7
Series 900 Plastic trash bucket	01498	-	-	1.1
<b>Accessories</b>				
Closing cap (F) with galv steel end frame	98597	-	-	0.6
Closing/outlet cap (M) with galv steel end frame	98603	-	-	0.8
Vertical outlet adapter - 4" or 6" Sch. 40 outlet	98195	-	-	0.7
QuickLok/PowerLok grate removal tool	01318	-	-	0.3

### Notes:

- Invert depths are for the channel/catch basin body & frame assembly
- Channel weights are for fiberglass body only, add frame to complete weight
- For maximum hydraulic efficiency remove trash bucket from catch basin
- Closing caps can be cut down to suit all channels
- Add 2" to length of each channel for female joining flange (only applicable at shallowest end of run)
- Frames supplied with plastic snap-fit studs for connecting to fiberglass body
- (F) = female
- (M) = male
- Add 0.12" (3mm) for overall depth of channel
- Add 0.12" (3mm) for overall depth of catch basin

### Specifications

#### General

The surface drainage system shall be ACO Drain FG100 complete with gratings secured with 'QuickLok' locking as manufactured by ACO Polymer Products, Inc. or equal approved.

#### Materials

The trench system bodies shall be manufactured from fiberglass, with minimum properties as follows:

Compressive strength: 24,400 psi  
 Flexural strength: 9,943 psi  
 Water absorption 0.33%  
 Frost proof  
 Salt proof  
 Dilute acid and alkali resistant

The nominal clear opening shall be 3.75" (95mm) with overall width of 5.25" (135mm). Pre-cast units shall be manufactured with either an invert slope of 1.0% or with neutral invert and have a wall thickness of at least 0.125" (3mm). Each unit will feature a full 'V' profile in the trench bottom and a 2" (50mm) male to female interconnecting end profile.

The fiberglass channel body shall be fixed to the frame using push fit nylon studs at 19.69" (500mm) intervals.

Frames shall be manufactured from galvanized steel and shall incorporate anchoring features to ensure maximum mechanical bond to the surrounding bedding material and pavement surface. Frames shall incorporate installation brackets to ensure correct and easy installation. Frames shall be at least 1/8" (3mm) thick.

#### Grates

Grates should be specified. See separate ACO Spec Info grate sheets for details.

#### Installation

The trench drain system shall be installed in accordance with the manufacturer's installation instructions and recommendations.

### ACO Polymer Products, Inc.

**Northeast Sales Office**  
 9470 Pinecone Drive  
 Mentor, OH 44060  
 Tel: (440) 639-7230  
 Toll free: (800) 543-4764  
 Fax: (440) 639-7235

**West Sales Office**  
 825 W. Beechcraft St.  
 Casa Grande, AZ 85122  
 Tel: (520) 421-9988  
 Toll Free: (888) 490-9552  
 Fax: (520) 421-9899

**Southeast Sales Office**  
 4211 Pleasant Road  
 Fort Mill, SC 29708  
 Toll free: (800) 543-4764  
 Fax: (803) 802-1063



**Electronic Contact:**  
 info@ACODrain.us  
 www.ACODrain.us

