

### Product Features

- Certified to EN 1433 Load Class F - 200,000 lbs - 4,182 psi
- Uses 'PowerLok' boltless locking system
- Suitable for use with S200K and H200K channels
- Manufactured from ductile iron to ASTM A 536-84 - Grade 304 65-45-12
- Anti-Shunt lugs



### Specifications

#### General

The surface drainage system shall be ACO PowerDrain or SlabDrain, complete with ACO ductile iron slotted grate with 'PowerLok' locking as manufactured by ACO Polymer Products, Inc. or similar approved.

#### Materials

The covers shall be manufactured from ductile iron and have **minimum** properties as follows:

- **Independently certified to meet Load Class F to EN 1433 - 200,000 lbs - 4,182 psi**
- **Ductile iron to ASTM 536-84 - Grade 65-45-12**
- **Intake area of 450 sq. cm per ½ meter of grate**

The overall width of 13.25" (337mm) and overall length of 19.68" (500mm). Slots measure at a maximum of 0.75" (19mm).

#### Grate

Grate is slotted ductile iron. Ductile iron ASTM 536-84 - Grade 65-45-12. After removal of grates there shall be uninterrupted access to the trench to aid maintenance. Grates can be used for PowerDrain or SlabDrain.

#### Installation

The trench drain system and grates shall be installed in accordance with the manufacturer's installation instructions and recommendations.

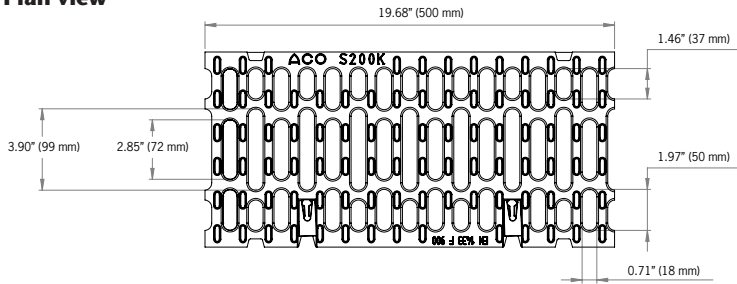
\* delete as appropriate

# ACO DRAIN

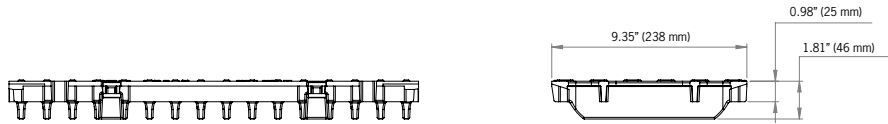
## 8" width - ductile iron slotted grate



### Plan view

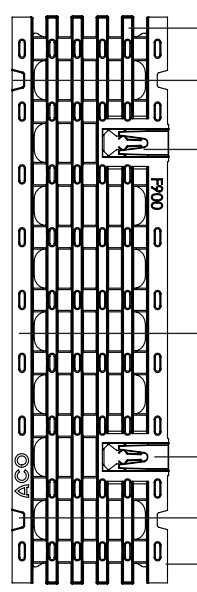


### Side elevation



Description	Part No.	Length inches (mm)	Width inches (mm)	Weight lbs.
<b>PowerLok grate</b> SK2 ductile iron longitudinal grate - CI E	<b>72263</b>	19.68 (500)	9.35 (238)	26.4

### PowerLok locking mechanism



**PowerLok Grate**

**Lug**

**PowerLok Device 'unlocked' position**

**PowerLok Rail**

**PowerLok Device 'locked' position**

**Recess in Grate**

**PowerLok Rail**

ACO **PowerLok** is a patented boltless locking system. Grates are removed and replaced with minimum time and effort for ease of maintenance.

Lugs on the rail opposite the **PowerLok** device slots into recesses in the grate. The **PowerLok** device is used to engage the lug on the rail at two locations per grate to 'lock' the grate to the channel.

**ACO Polymer Products, Inc.**  
**Northeast Sales Office**  
 9470 Pinecone Drive  
 Mentor, Ohio 44060  
 Tel: (440) 639-7230  
 Toll free: (800) 543-4764  
 Fax: (440) 639-7235

**West Sales Office**  
 825 W. Beechcraft St.  
 Casa Grande, AZ 85122  
 Tel: (520) 421-9988  
 Toll Free: (888) 490-9552  
 Fax: (520) 421-9899

**Southeast Sales Office**  
 4211 Pleasant Road  
 Fort Mill, SC 29708  
 Toll free: (800) 543-4764  
 Fax: (803) 802-1063

Follow us on  




**Electronic Contact:**  
 info@ACODrain.us  
 www.ACODrain.us



© February 11, 2016 ACO Polymer Products, Inc. This information is believed to be accurate but it is not guaranteed to be so. We cannot assume liability for results that buyer obtains with our product since conditions of use are beyond the control of the company. It is the customer's responsibility to evaluate suitability and safety of product for his own use. ACO Polymer Products Inc. reserves the right to change the product and specifications without notice.