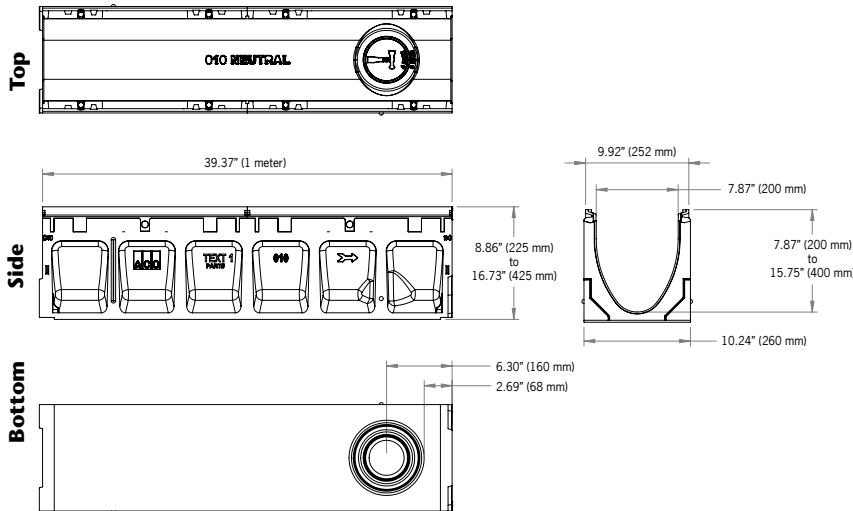
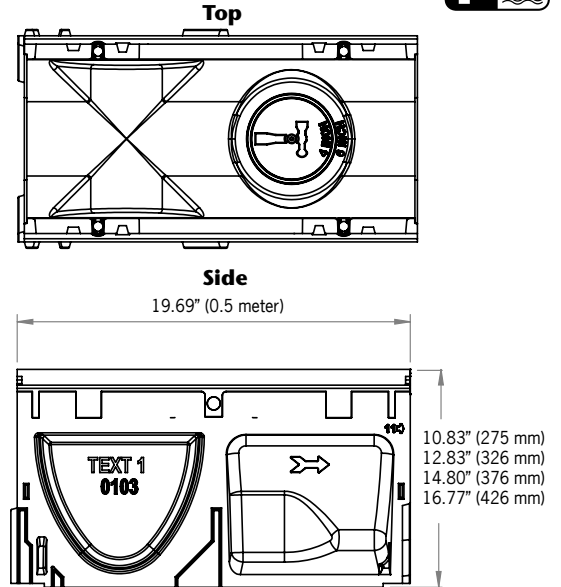


One meter channel

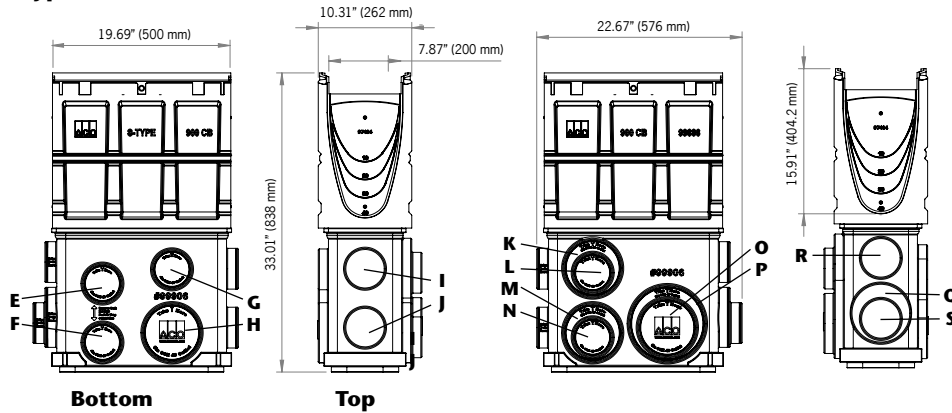


Knock-outs included on every 5th channel

Half meter channel



Type 902D In-line catch basin



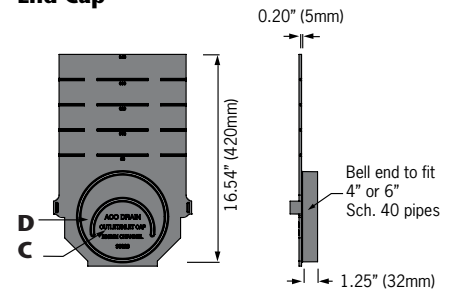
Total capacity = 19 gallons

Outlet flow rates

Outlet	Product	Outlet size (Sch. 40)	Invert Depth	GPM	CFS
A	Bottom outlet - SK2-00	4" round	7.87"	153	0.34
A	Bottom outlet - SK2-040	4" round	15.75"	216	0.48
B	Bottom outlet - SK2-00	6" round	7.87"	344	0.77
B	Bottom outlet - SK2-040	6" round	15.75"	486	1.08
C	End outlet - SK2-00	4" round	7.87"	132	0.29
C	End outlet - SK2-40	4" round	15.75"	202	0.45
D	End outlet - SK2-10	6" round	9.84"	320	0.71
D	End outlet - SK2-40	6" round	15.75"	437	0.97
E	Type SK2-902D	4" round	25.33"	263	0.59
F	Type SK2-902D	4" round	31.83"	297	0.66
G	Type SK2-902D	4" round	23.76"	254	0.57
H	Type SK2-902D	6" round	31.83"	658	1.47
I	Type SK2-902D	4" round	23.91"	255	0.57
J	Type SK2-902D	4" round	30.40"	290	0.65
K	Type SK2-902D	6" round	24.68"	570	1.27
L	Type SK2-902D	4" round	24.13"	256	0.57
M	Type SK2-902D	6" round	31.82"	658	1.47
N	Type SK2-902D	4" round	31.26"	294	0.66
O	Type SK2-902D	6" round	31.26"	651	1.45
P	Type SK2-902D	8" round	31.82"	1149	2.56
Q	Type SK2-902D	6" round	30.32"	640	1.43
R	Type SK2-902D	4" round	23.19"	251	0.56
S	Type SK2-902D	4" round	29.90"	288	0.64

Note: These are the pipe flow rates at the specified outlet, NOT channel flow rates. \*Catch basin flow rates are without trash bucket - using trash bucket reduces flow.

End Cap





ACO Specification Information

Description	Part No.	Invert Inches <sup>2</sup>	mm <sup>2</sup>	Weight lbs.
<b>SK2-00 Constant depth channel - 39.37" (1m)<sup>1</sup></b>	<b>68041</b>	<b>7.87</b>	<b>200</b>	<b>85.2</b>
SK2-1 Sloped channel - 39.37" (1m)	68001	8.07	205	85.2
SK2-2 Sloped channel - 39.37" (1m)	68002	8.26	210	86.3
SK2-3 Sloped channel - 39.37" (1m)	68003	8.46	215	87.4
SK2-4 Sloped channel - 39.37" (1m)	68004	8.66	220	88.5
SK2-5 Sloped channel - 39.37" (1m) <sup>D</sup>	68005	8.85	225	89.6
SK2-6 Sloped channel - 39.37" (1m)	68006	9.05	230	90.7
SK2-7 Sloped channel - 39.37" (1m)	68007	9.25	235	91.8
SK2-8 Sloped channel - 39.37" (1m)	68008	9.44	240	92.9
SK2-9 Sloped channel - 39.37" (1m)	68009	9.64	245	94.0
SK2-10 Sloped channel - 39.37" (1m) <sup>D</sup>	68010	9.84	250	95.1
<b>SK2-010 Constant depth channel - 39.37" (1m)<sup>D</sup></b>	<b>68043</b>	<b>9.84</b>	<b>250</b>	<b>95.2</b>
<b>SK2-0103 Constant depth channel - 19.69" (0.5m)<sup>D</sup></b>	<b>68044</b>	<b>9.84</b>	<b>250</b>	<b>61.2</b>
SK2-11 Sloped channel - 39.37" (1m)	68011	10.03	255	96.2
SK2-12 Sloped channel - 39.37" (1m)	68012	10.23	260	97.3
SK2-13 Sloped channel - 39.37" (1m)	68013	10.43	265	98.4
SK2-14 Sloped channel - 39.37" (1m)	68014	10.62	270	99.6
SK2-15 Sloped channel - 39.37" (1m) <sup>D</sup>	68015	10.82	275	100.7
SK2-16 Sloped channel - 39.37" (1m)	68016	11.02	280	101.8
SK2-17 Sloped channel - 39.37" (1m)	68017	11.22	285	102.9
SK2-18 Sloped channel - 39.37" (1m)	68018	11.41	290	104.0
SK2-19 Sloped channel - 39.37" (1m)	68019	11.61	295	105.1
SK2-20 Sloped channel - 39.37" (1m) <sup>D</sup>	68020	11.81	300	106.2
<b>SK2-020 Constant depth channel - 39.37" (1m)<sup>D</sup></b>	<b>68045</b>	<b>11.81</b>	<b>300</b>	<b>106.2</b>
<b>SK2-0203 Constant depth channel - 19.69" (0.5m)<sup>D</sup></b>	<b>68046</b>	<b>11.81</b>	<b>300</b>	<b>68.8</b>
SK2-21 Sloped channel - 39.37" (1m)	68021	12.00	305	107.3
SK2-22 Sloped channel - 39.37" (1m)	68022	12.20	310	108.4
SK2-23 Sloped channel - 39.37" (1m)	68023	12.40	315	109.5
SK2-24 Sloped channel - 39.37" (1m)	68024	12.59	320	110.6
SK2-25 Sloped channel - 39.37" (1m) <sup>D</sup>	68025	12.79	325	111.7
SK2-26 Sloped channel - 39.37" (1m)	68026	12.99	330	112.3
SK2-27 Sloped channel - 39.37" (1m)	68027	13.18	335	113.9

Description	Part No	Invert Inches <sup>2</sup>	mm <sup>2</sup>	Weight lbs.
SK2-28 Sloped channel - 39.37" (1m)	68028	13.38	340	115.8
SK2-29 Sloped channel - 39.37" (1m)	68029	13.58	345	116.1
SK2-30 Sloped channel - 39.37" (1m) <sup>D</sup>	68030	13.77	350	117.2
<b>SK2-030 Constant depth channel - 39.37" (1m)<sup>D</sup></b>	<b>68047</b>	<b>13.77</b>	<b>350</b>	<b>117.2</b>
<b>SK2-0303 Constant depth channel - 19.69" (0.5m)<sup>D</sup></b>	<b>68048</b>	<b>13.77</b>	<b>350</b>	<b>73.3</b>
SK2-31 Sloped channel - 39.37" (1m)	68031	13.97	355	118.4
SK2-32 Sloped channel - 39.37" (1m)	68032	14.17	360	119.5
SK2-33 Sloped channel - 39.37" (1m)	68033	14.37	365	120.6
SK2-34 Sloped channel - 39.37" (1m)	68034	14.56	370	121.7
SK2-35 Sloped channel - 39.37" (1m) <sup>D</sup>	68035	14.76	375	122.8
SK2-36 Sloped channel - 39.37" (1m)	68036	14.96	380	123.9
SK2-37 Sloped channel - 39.37" (1m)	68037	15.15	385	125.0
SK2-38 Sloped channel - 39.37" (1m)	68038	15.35	390	126.1
SK2-39 Sloped channel - 39.37" (1m)	68039	15.55	395	127.2
SK2-40 Sloped channel - 39.37" (1m) <sup>D</sup>	68040	15.74	400	128.3
<b>SK2-040 Constant depth channel - 39.37" (1m)<sup>D</sup></b>	<b>68049</b>	<b>15.74</b>	<b>400</b>	<b>128.3</b>
<b>SK2-0403 Constant depth channel - 19.69" (0.5m)<sup>D</sup></b>	<b>68050</b>	<b>15.74</b>	<b>400</b>	<b>82.1</b>
SK2-903D In-line catch basin - 19.69" (0.5m) <sup>D</sup>	68053	37.36	949	81.8
SK2-904D In-line catch basin - 19.69" (0.5m) <sup>D</sup>	68055	49.41	1255	116.0
SK2-631D catch basin - 19.69" (0.5m) <sup>D</sup>	68056	49.41	1255	126.0
Series 600 Optional plastic riser	99902	-	-	10.0
Foul air trap - fits both 910 & 610 basins	90854	-	-	1.2
SK2 channel Universal end cap	96823	19.69	500	1.4
Debris strainer for 4" bottom knockout	93488	-	-	0.2
8" channel Installation device	97478	-	-	4.0
Grate removal tool	01318	-	-	0.3
SK2 ductile iron slotted grate <sup>®</sup>	02449	-	-	30.8
SK2 ductile iron longitudinal grate <sup>®</sup>	72263	-	-	26.4
SK2 ductile iron 4-bolt	99591	-	-	26.4

Notes:

1. This channel offers bottom knockout feature: 6" & 8" round.
2. Inverts shown are male end; for female invert depth subtract 5mm (≈0.2") from male invert (except neutral channels where it will be same as male invert). To calculate overall channel depth, add 25.4mm (1.0") to invert depth.
3. Catch basin assembly includes polymer concrete top, trash bucket and plastic base. Grate not included.
4. Catch basin assembly includes polymer concrete top, deep trash bucket, plastic riser and plastic base. Grate not included.
5. Water intake per meter channel is 134.2 in<sup>2</sup> (865.80 cm<sup>2</sup>).
6. See 8" width ductile iron grate specification info for grate details.

Specifications	Frost proof	YES	edge rail shall be at least 1/4" (6mm) thick.
	Salt proof	YES	
	Dilute acid and alkali resistant	YES	
<b>General</b>			<b>Installation</b>
The surface drainage system shall be ACO Drain PowerDrain S200K as manufactured by ACO Polymer Products, Inc. or equal approved. (Add appropriate grate - see grate spec information).	The nominal clear opening shall be 8" (200mm) with overall width of 10.24" (260mm). Pre-cast units shall be manufactured with either an invert slope of 0.5% or with neutral invert and have a wall thickness of at least 0.67" (16mm). Each unit will feature a partial radius in the trench bottom and a male to female interconnecting end profile. Units shall have horizontal cast in anchoring keys on the outside wall to ensure maximum mechanical bond to the surrounding bedding material and pavement surface. The ductile iron edge rail will be integrally cast in by the manufacturer to ensure maximum homogeneity between polymer concrete body and edge rail. Each		The trench drain system shall be installed in accordance with the manufacturer's installation instructions and recommendations.
<b>Materials</b>			
The trench system bodies shall be manufactured from polymer concrete with minimum properties as follows:			
Compressive strength:	14,000 psi		
Flexural strength:	4,000 psi		
Water absorption	0.07%		

ACO Polymer Products, Inc.

**Northeast Sales Office**  
 9470 Pinecone Dr.  
 Mentor, OH 44060  
 Tel: (440) 639-7230  
 Toll free: (800) 543-4764  
 Fax: (440) 639-7235

**West Sales Office**  
 825 W. Beechcraft St.  
 Casa Grande, AZ 85122  
 Tel: (520) 421-9988  
 Toll Free: (888) 490-9552  
 Fax: (520) 421-9899

**Southeast Sales Office**  
 4211 Pleasant Road  
 Fort Mill, SC 29708  
 Toll free: (800) 543-4764  
 Fax: (803) 802-1063



**Electronic Contact:**  
 info@ACODrain.us  
 www.ACODrain.us



© September 2016 ACO Polymer Products, Inc. This information is believed to be accurate but it is not guaranteed to be so. We cannot assume liability for results that buyer obtains with our product since conditions of use are beyond the control of the company. It is the customer's responsibility to evaluate suitability and safety of product for his own use. ACO Polymer Products Inc. reserves the right to change the product and specifications without notice.