

Specifications

General

The surface drainage system shall be ACO Drain Brickslot, as manufactured by ACO Polymer Products, Inc. or equal approved.

Materials

The Brickslot top is manufactured from grade 304 stainless steel.

The nominal clear opening for Brickslot slot is 7/16" (11mm) with overall width of 4.84" (123mm). Tapered slot prevents debris from being trapped. For use with K200 and KS200 channels. See separate ACO Spec info sheet for channel details. Brickslot is secured by 'DrainLok' boltless locking system.

Installation

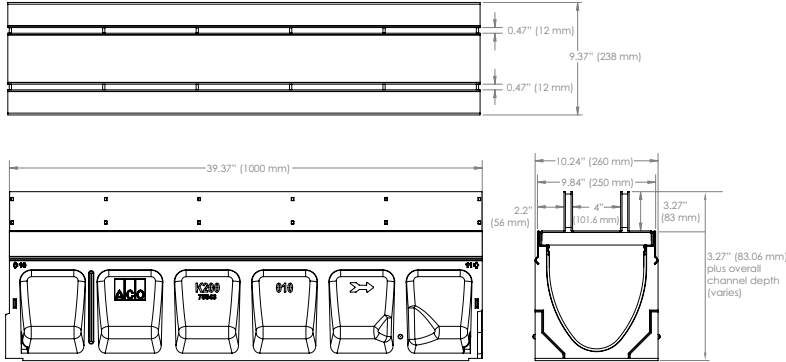
The trench drain system shall be installed in accordance with the manufacturer's installation instructions and recommendations.

ACO Specification Information

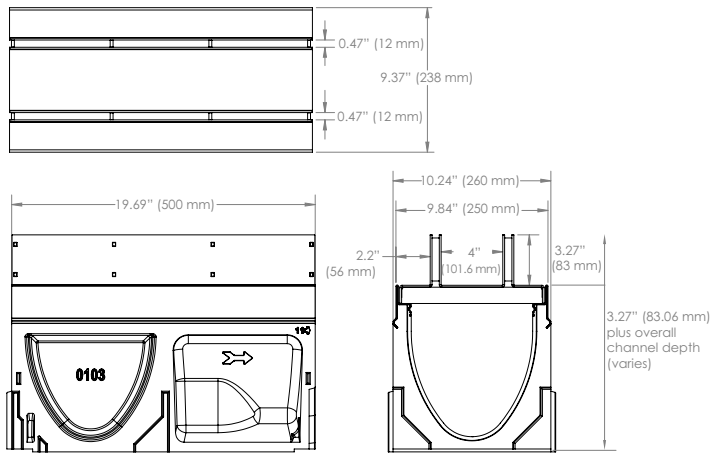
ACO DRAIN

Type 643/644 Stainless Steel Twinslot 200

One meter unit



Half meter unit



Description	Part No.	Overall Depth in.	Overall Depth mm	Weight lbs.
Type 643/644 - Twinslot 200 - 39.37" (1m) Stainless Steel	138065	4.45	113	36.3
Type 643/644 - Twinslot 200 - 19.69" (0.5m) Stainless Steel	138066	4.45	113	18.7

Notes:

1. For use with K200 and KS200 channels, and Series 900 catch basins.
2. Brickslot can also be used with SlabDrain HK channels.

ACO Specification Information

ACO Polymer Products, Inc.

Northeast Sales Office
 9470 Pinecone Drive
 Mentor, OH 44060
 Tel: (440) 639-7230
 Toll free: (800) 543-4764
 Fax: (440) 639-7235

West Sales Office
 825 W. Beechcraft St.
 Casa Grande, AZ 85122
 Tel: (520) 421-9988
 Toll Free: (888) 490-9552
 Fax: (520) 421-9899

Southeast Sales Office
 4211 Pleasant Road
 Fort Mill, SC 29708
 Toll free: (800) 543-4764
 Fax: (803) 802-1063



Electronic Contact:
 info@ACODrain.us
 www.ACODrain.us



© November 2016 ACO Polymer Products, Inc. This information is believed to be accurate but it is not guaranteed to be so. We cannot assume liability for results that buyer obtains with our product since conditions of use are beyond the control of the company. It is the customer's responsibility to evaluate suitability and safety of product for his own use. ACO Polymer Products Inc. reserves the right to change the product and specifications without notice.