

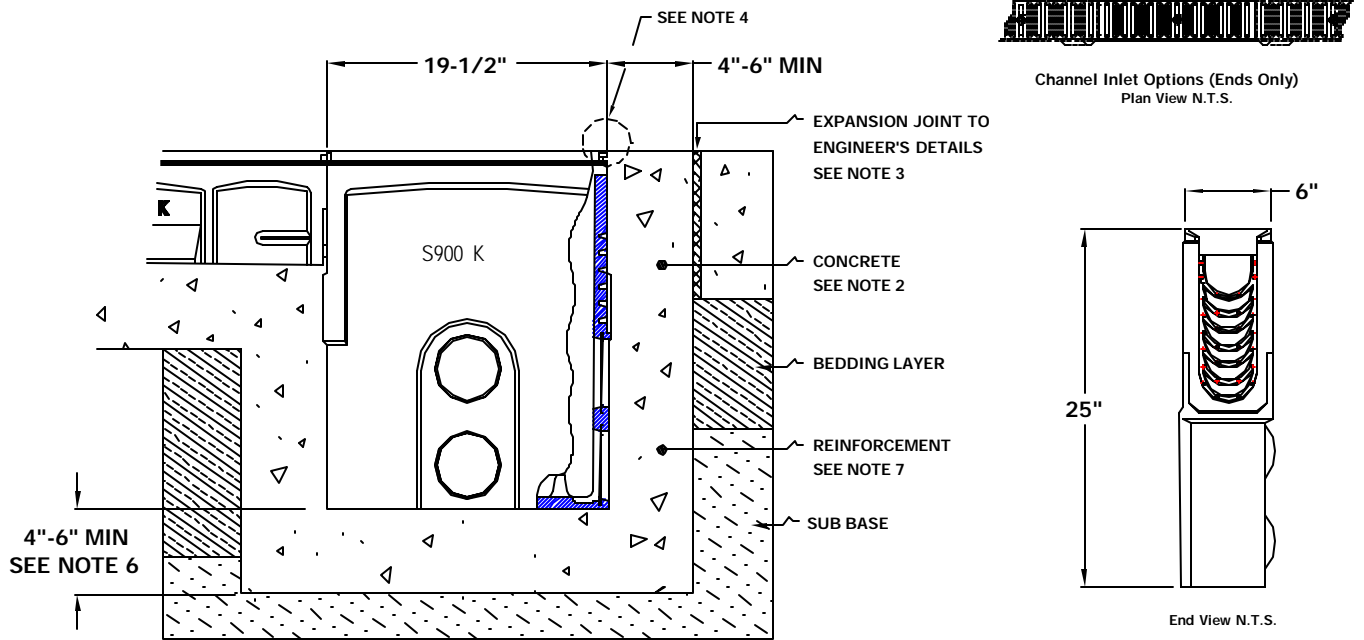


INSTALLATION DRAWING

ACO Polymer Products Inc.
 P.O. Box 245
 Chardon, OH 44024
 PH: 440-285-7000
 FX: 440-285-8517
 e-mail: sales@acousa.com

DRWG# 1666 Date: 5/21/03
 WWW.ACOUSA.COM

S900K CB: Load Class A-C : Concrete Finish



NOTES:

1. It is necessary to ensure the minimum dimensions shown are suitable for the existing ground conditions. *Engineering advice may be required.*
2. A minimum concrete strength of 3000 PSI is recommended. The concrete should be vibrated to eliminate air pockets. *Engineering advice may be required.*
3. Expansion and crack control joints are recommended to protect the catch basin and the concrete surround. *Engineering advice may be required.*
4. The finished level of the concrete surround must be approx. 1/8" above the top of the catch basin edge.
5. Refer to ACO'S latest installation instructions for complete details.
6. Concrete base thickness should match the slab thickness.
7. Rebar or steel mesh reinforcement may be required. *Engineering advice may be required.*



SPECIFICATION CLAUSE

ACO Polymer Products Inc.
 P.O. Box 245
 Chardon, OH 44024
 PH: 440-285-7000
 FX: 440-285-8517
 e-mail: sales@acousa.com

DRWG# 1666 Date: 5/21/03
 WWW.ACOUSA.COM

S900K Catch Basin System

The catch basin shall be ACO Drain S900K series made from polymer concrete with a ductile iron rail cast-in as manufactured by ACO Polymer Products, Inc., Chardon, Oh.

The S900K series catch basin will be used in conjunction with 4" ACO DRAIN trench drain model type S100K and shall accept trench drain in ends as shown above.

The catch basin shall be 19.69 in. (500mm) nominal inside length with a 4 in. (100mm) nominal inside width. S900K catch basin depth is 25 in. (635mm)

The complete catch basin and trench drainage system shall be by ACO Polymer Products, Inc. Any deviation or partial system design and/or improper installation will void any and all warranties provided by ACO Polymer Products, Inc.

S900K series catch basin shall withstand loading to Load Class F (DIN 19 580). Grate shall be * _____
 Catch basin, Trench channel and grate shall be independently certified to meet the specified DIN 19580 load class.

Polymer Concrete shall have material properties of: compressive strength range between 14,000-14,500 psi; flexural strength between 3600-4500 psi; tensile strength of 1500 psi. The material water absorption rate shall not exceed 0.1 % by weight and shall be resistant to prolonged salt exposure, repetitive frost cycles and chemically resistant to dilute acids and alkalis.

The system shall be installed in accordance with the manufacturer's instructions and recommendations.
 *Fill in as required - see ACO Drain Trench spec sheets for additional info.