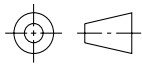
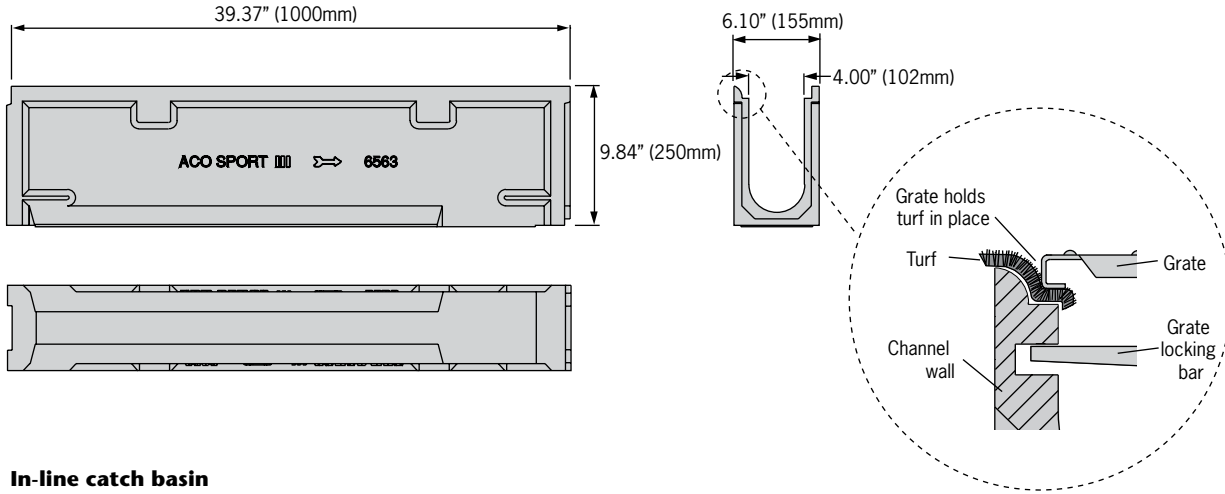


System 6000

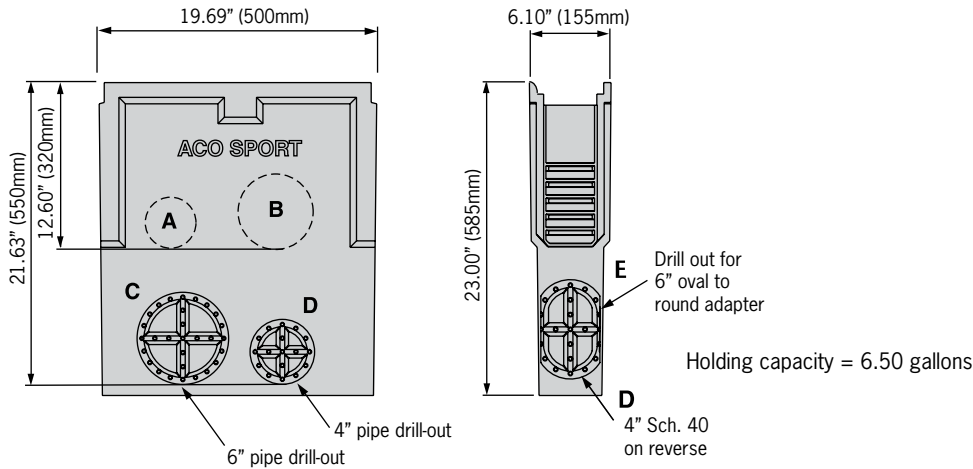
6500 Artificial turf anchoring and trench drain system



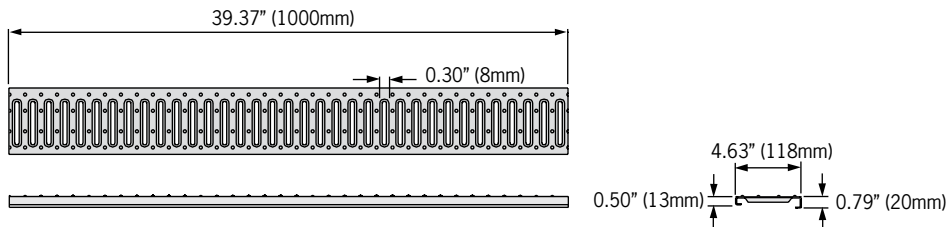
One meter channel



In-line catch basin



6500 Turf tuck grate



Outlet flow rates

Outlet	Product	Outlet size (Sch. 40)	Invert Depth	GPM	CFS
A	In-line catch basin*	4" round	12.60	175	0.40
B	In-line catch basin*	6" round	21.63	530	1.22
C	In-line catch basin*	6" round	12.60	379	0.87
D	In-line catch basin*	4" round	21.63	242	0.54
E	In-line catch basin*	6" oval	21.63	372	0.86

* In-line catch basin flow rate without trash bucket - using trash bucket reduces flow

ACO Specification Information



System 6500 artificial turf anchoring and trench drain system

ACO Specification Information

Description	Part No.	Overall Depth		Weight lbs.
		inches	mm	
6500 Channel - 39.37" (1000mm)	01707	9.84	250	54.0
In-line catch basin				
6500 in-line catch basin - 19.69" (500mm)	01322	23.00	585	57.0
Plastic trash bucket	01498	9.10	230	1.1
6" oval to round adapter	95140	-	-	1.1
Grates				
Galvanized steel turf tuck grate - 39.37" (1000mm)	01302	-	-	5.5
Galvanized steel turf tuck grate - 19.69" (500mm)	05644	-	-	2.8
Locking bolt & bar device - galvanized steel	00089	-	-	0.3

Notes:

1. For maximum hydraulic efficiency remove trash bucket from in-line catch basin

Part I - General	Part II - Product	Part III - Installation
<p>1.1 Related Work - Work specified in other sections includes but is not limited to: Excavation and backfill, cast-in-place concrete, and mechanical equipment.</p> <p>1.2 System Description - Modular trench drain system pre-cast from corrosion resistant polyester polymer concrete including interlocking modular components for on-site installation.</p> <p>1.3 Submittals - Manufacturer will submit, when required, shop drawings showing schematic plan of total drainage system listing all parts being provided with exact center-line dimensions suitable for installation. Copies of the manufacturer's recommended method of installation, assembly, and anchorage shall be submitted for review.</p> <p>1.4 Project History - Manufacturer shall submit a list of projects installed during the past twenty years, if required.</p> <p>1.5 Warranty - ACO provides a limited warranty of one year based on installation according to manufacturer's installation instruction data.</p>	<p>2.1 Products - Manufacturer shall be ACO Polymer Products, Inc.</p> <p>2.2 Physical & Mechanical Characteristics</p> <ul style="list-style-type: none"> • Overall width - 6.10 inches (155mm) • Internal width - 4.00 inches (100mm) • Unit depth - 9.84 inches (250mm) • Unit length - 39.37 inches (1000mm) • Compressive strength - 14,000 psi • Flexural strength - 4,000 psi • Water absorption rate - <0.1% by weight <p>2.3 Channel Profile - Shall include positive interlocking tongue and groove connections that can be sealed to provide watertight connections. Each pre-cast polymer concrete one meter (39.37") unit shall be an open 'U' shaped channel to accept a grate 4.63" (118mm) wide. Channel shall have one rounded channel edge to accept artificial turf.</p> <p>2.4 Grates - A slotted galvanized steel grate with grate seating height of 0.79" (20mm) on outer edge and 0.5" (13mm) on turf edge to accommodate artificial turf and hold it into position. Galvanized steel bolt and bar locking device locks grate and turf into position.</p> <p>2.5 Catch Basins - Shall be pre-cast polymer concrete one half meter (19.69") in length and include a trash bucket (optional) and removable grate.</p>	<p>3.1 Site Preparation - Excavate the area for channel placement wide enough and deep enough to accommodate the ACO SPORT System 6500 channel and a minimum of 4 inches (100mm) concrete encasement. Channels require a minimum of 4 inches (100mm) of concrete support on both sides as well as beneath channel. Top of channel must be evenly aligned to the surface of the surrounding slab.</p> <p>3.2 Installation - Channel sections are installed starting from the outlet or catch basins. Insert channels from above to allow ends to interlock. Channel sections shall be placed on brick, rebar basket, low slump concrete slurry, or suspended to obtain correct finished elevation. Cutting will be made, if required, by masonry or concrete saw. Temporarily place grate in position to brace channel to avoid compression during concrete placement. Cover grate with tape, plastic, or plywood strips to protect surface during concrete pour. Place concrete in a manner that will not dislodge the channels.</p> <p>3.3 Finishing and Clean-up - Following final set of concrete, remove protection covering the grates and channels, install turf, fit and lock grates into position.</p> <p>3.4 Install in strict accordance with manufacturer's recommendations and drawings. Details available at www.acousa.com/install_drawings_sport.htm</p>

ACO Polymer Products, Inc.

East Sales Office
 P.O. Box 245
 Chardon, OH 44024
 Tel: (440) 285-7000
 Toll free: (800) 543-4764
 Fax: (440) 285-7005

West Sales Office
 P.O. Box 12067
 Casa Grande, AZ 85230
 Tel: (520) 421-9988
 Toll Free: (888) 490-9552
 Fax: (520) 421-9899

Electronic Contact:
info@acousa.com
www.acousa.com

