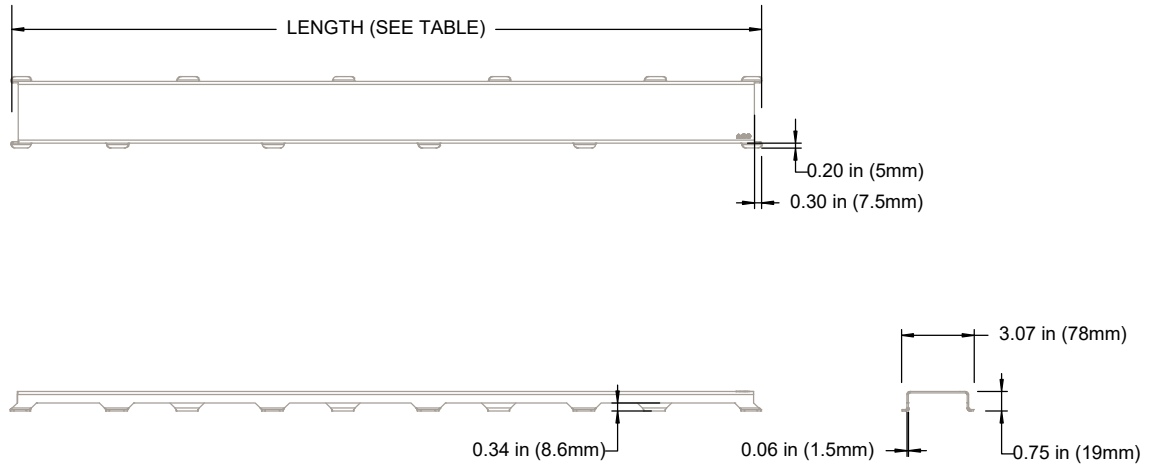


**SHOWER CHANNEL - SOLID GRATE**

ACO Specification Information



**Product Table**

<b>Length (mm) inches</b>	<b>700</b> 27.55	<b>800</b> 31.50	<b>900</b> 35.43	<b>1000</b> 39.37	<b>1200</b> 47.24	<b>1400</b> 55.12	Replacement grate lifting key
<b>Part No. Electro-polished</b>	<b>37476</b>	<b>37477</b>	<b>37478</b>	<b>37479</b>	<b>37480</b>	<b>37481</b>	<b>37339</b>
<b>Weight lbs</b>	0.9	1.5	1.7	1.9	2.3	2.7	0.1
<b>Intake Area sq. in.</b>	12.32	13.87	15.42	16.97	20.07	23.17	n/a

**Specification Clause**

The ACO ShowerDrain Solid grate shall be 1.5mm (16 gauge) stainless steel grade 304 manufactured by ACO, Inc. USA.

The surface finish shall be Electropolished.

Grates shall be 3.07" (78mm) wide with length as specified on Architects plans / Architects specification.

Shower channel shall be Plain Edge OR Flange Edge. (See separate Spec Info Sheet for details)

ACO recommends checking local plumbing codes prior to installation.

The system shall be installed in accordance with the manufacturer's instructions and recommendations.

**ACO, Inc.**

**Northeast Sales Office**  
9470 Pinecone Dr.  
Mentor, OH 44060  
Tel: (440) 639-7230  
Toll Free: (800) 543-4764  
Fax: (440) 639-7235

**West Sales Office**  
825 W. Beechcraft St.  
Casa Grande, AZ 85122  
Tel: (520) 421-9988  
Toll Free: (866) 809-4506  
Fax: (520) 421-9899

**Southeast Sales Office**  
4211 Pleasant Rd  
Fort Mill, SC 29708  
Tel: (800) 543-4764  
Toll Free: (800) 543-4764  
Fax: (803) 802-1063

**Electronic Contact:**  
info@QuARTzbyACO.com  
www.QuARTzbyACO.com

