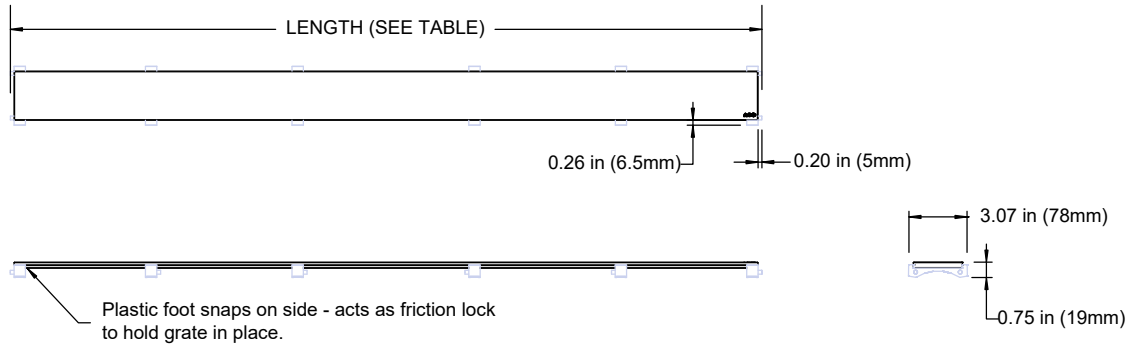


SHOWER CHANNEL - GLASS GRATE

ACO Specification Information



Product Table

Length (mm) inches	700 27.55	800 31.50	900 35.43	1000 39.37	1200 47.24	Replacement grate lifting key	Foot Color
Part No. Black	9010.56.67	9010.56.68	9010.56.69	9010.56.70	9010.56.71	37339	Black
Part No. White	9010.56.72	9010.56.73	9010.56.74	9010.56.75	9010.56.76	37339	White
Part No. Gray	9010.56.77	9010.56.78	9010.56.79	9010.56.80	9010.56.81	37339	Black
Quantity Feet	4	4	6	6	6	n/a	n/a
Weight lbs	1.7	1.9	2.2	2.4	2.9	0.1	0.1
Intake Area sq. in.	15.39	17.71	20.03	22.35	26.68	n/a	n/a

Specification Clause

The ACO ShowerDrain Glass grate shall be tempered glass, manufactured by ACO, Inc. USA.

The surface finish shall be Glass. Feet shall be polypropylene.

Grates shall be 3.07" (78mm) wide with length as specified on Architects plans / Architects specification.

Shower channel shall be Plain Edge OR Flange Edge. (See separate Spec Info Sheet for details)

ACO recommends checking local plumbing codes prior to installation.

The system shall be installed in accordance with the manufacturer's instructions and recommendations.

ACO, Inc.

Northeast Sales Office
9470 Pinecone Dr.
Mentor, OH 44060
Tel: (800) 543-4764
Fax: (440) 639-7235

West Sales Office
825 W. Beechcraft St.
Casa Grande, AZ 85122
Tel: (866) 809-4506
Fax: (520) 421-9899

Southeast Sales Office
4211 Pleasant Rd
Fort Mill, SC 29708
Tel: (800) 543-4764
Fax: (803) 802-1063

usashowerdrain@aco.com
www.acousa.com/showerdrain

