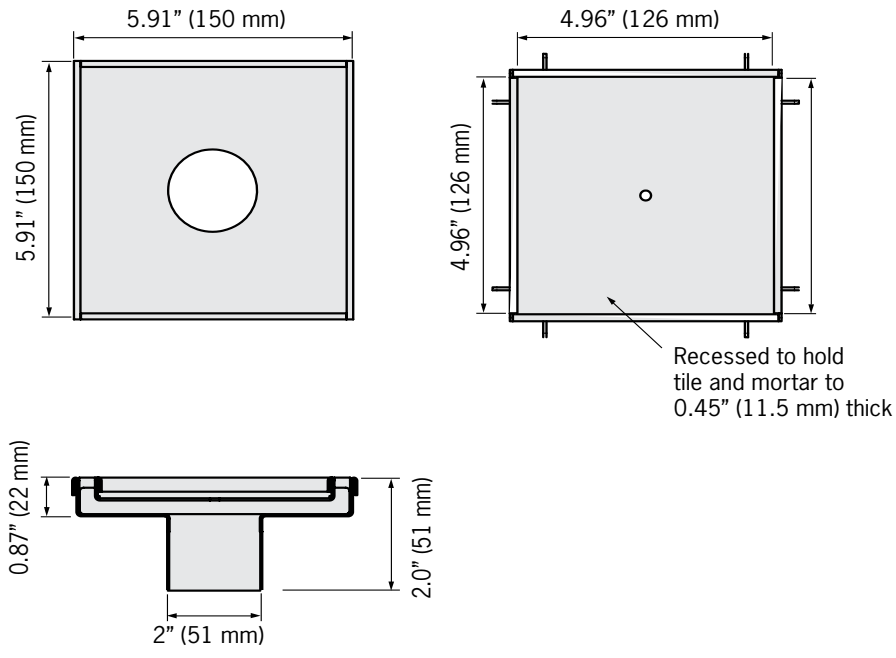


# Stainless Steel ShowerPoint Drain - Tile



Recessed to hold tile and mortar to 0.45" (11.5 mm) thick

## Product

	<i>All stainless steel ShowerPoint Drain - Tile inlay (does not include 2" threaded coupling)</i>	<i>PVC Drain flange coupling</i>
<b>Part No.</b>	<b>37229</b>	<b>93871</b>
<b>Weight (lbs)</b>	2.0	1.1

## Specification Clause

The QuARTz ACO ShowerPoint shower outlet body and tile inlay grate shall be stainless steel grade 304 as manufactured by ACO, Inc. USA. The tile inlay grate shall provide a 0.45" (11.5mm) deep recess to accommodate tile to match surrounding floor tiles. Water shall drain via a 0.33" (8.5mm) slot between the grate and frame of the body on all four sides.

Shower outlet shall be 5.91" (150mm) square, with 50mm (2.0") diameter spigot (O.D.).

Installs using two-piece drain flange and flexible PVC sleeve.

ACO recommends checking local plumbing codes prior to installation.

The system shall be installed in accordance with the manufacturer's instructions and recommendations.

### ACO, Inc.

**West Sales Office**  
 825 W. Beechcraft St.  
 Casa Grande, AZ 85122  
 Tel: (520) 421-9988  
 Toll Free: (888) 490-9552  
 Fax: (520) 421-9899

**East Sales Office**  
 9470 Pinecone Dr.  
 Mentor, OH 44060  
 Tel: (440) 639-7230  
 Toll free: (800) 543-4764  
 Fax: (440) 639-7235

**Southeast Sales Office**  
 4211 Pleasant Rd  
 Ft. Mill, SC 29708  
 Tel: (800) 543-4764  
 Toll Free: (800) 662-2377  
 Fax: (803) 802-1063

### Follow us on



**Electronic Contact:**  
[usashowerdrain@aco.com](mailto:usashowerdrain@aco.com)  
[www.acousa.com/showerdrain](http://www.acousa.com/showerdrain)



© January 2019 ACO, Inc. This information is believed to be accurate but it is not guaranteed to be so. We cannot assume liability for results that buyer obtains with our product since conditions of use are beyond the control of the company. It is the customer's responsibility to evaluate suitability and safety of product for his own use. ACO Inc. reserves the right to change the product and specifications without notice.