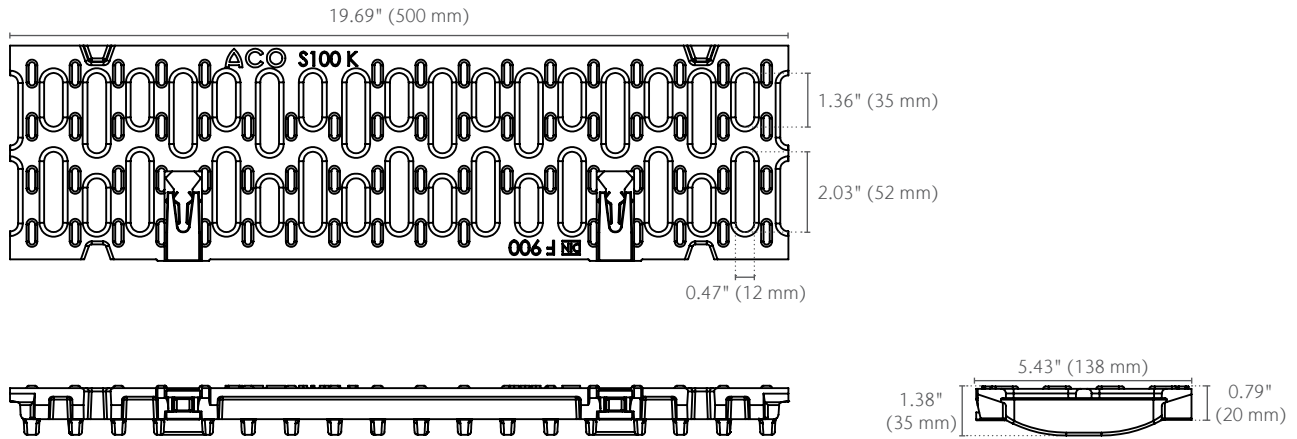


S100K Ductile Iron Slotted Grate Spec Sheets



4" Width - S100K Ductile Iron Slotted Grate

part no. 96082



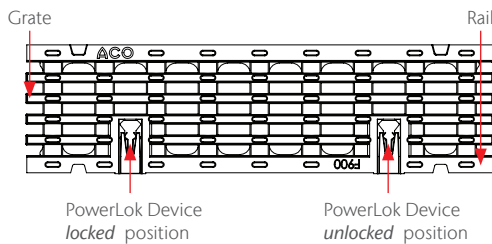
Product Name	Part No.	Length in (mm)	Width in (mm)	Weight lbs
S100K Ductile Iron Slotted Grate	96082	19.69 (500)	5.43 (138)	12.3

S100K Ductile Iron Slotted Grate Spec Sheets



PowerLok® Locking Mechanism

ACO PowerLok is a patented locking system. The PowerLok device is used to engage protrusions on the edge rails of the channel at two locations per channel to lock the grate.



Specification Summary

General

The surface drainage system shall be ACO PowerDrain or SlabDrain, complete with ACO Ductile Iron Slotted Grate with PowerLok® locking as manufactured by ACO, Inc. or similar approved.

Installation

The trench drain system and grates shall be installed in accordance with the manufacturer's installation instructions and recommendations.

Grates

Grate is slotted ductile iron. Ductile iron ASTM 536-84 - Grade 65-45-12. After removal of grates there shall be uninterrupted access to the trench to aid maintenance. Grates can be used for PowerDrain or SlabDrain.

Materials

The covers shall be manufactured from ductile iron and have minimum properties as follows:

- Ductile iron to ASTM 536-84 - Grade 65-45-12
- Intake area of 166 sq. cm per ½ meter of grate

The overall width of 5.43" (138mm) and overall length of 19.68" (500mm). Slots measure at a maximum of 1.35" (34mm).



ADA-compliant per The Americans with Disabilities Act of 2010, Section 302.3



Australian Standard AS 3996 - 2006 Clause 3.3.6: max slot length dependent on slot width for grates that are deemed Bicycle Tire Penetration Resistant.



Slip-resistant: BPN > 24 based on Pendulum Test



EN1433 Load Class F
202,328 lbs – 4,177 psi

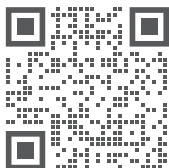


200,000 lb Proof Load

ACO, Inc.

© January 2026 ACO, Inc.

All reasonable care has been taken in compiling the information in this document. All recommendations and suggestions on the use of ACO products are made without guarantee since the conditions of use are beyond the control of the company. It is the customer's responsibility to ensure that each product is fit for its intended purpose and that the actual conditions of use are suitable. ACO, Inc. reserves the right to change products and specifications without notice.



info@acousa.com
www.acousa.com

