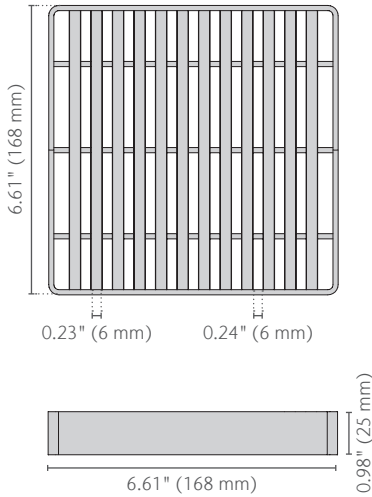


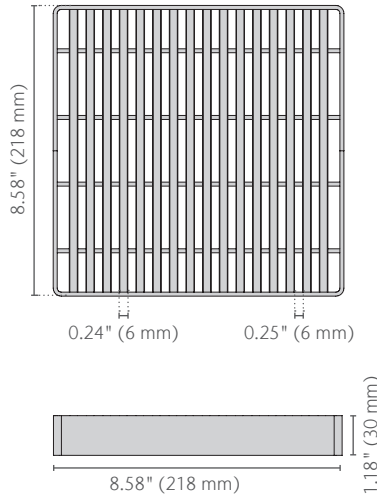
Heelsafe Grate Spec Sheet



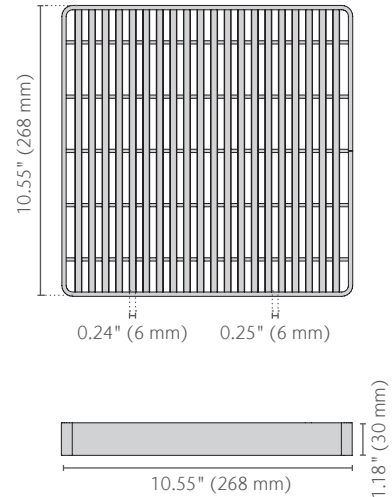
Heelsafe Grate
8" MD 304/316L
part no. 408022/408122



Heelsafe Grate
10" MD 304/316L
part no. 408031/408131



Heelsafe Grate
12" LD 304/316L
part no. 408040/408140



Product Name	Part No.	Intake in ²	Weight lbs	Material	EN1253 Load Class	ASME Load Class
Heelsafe Grate 8"	408022	20.4	2.3	AISI 304	L15	Medium Duty
	408122	20.4	2.3	AISI 316L	L15	Medium Duty
Heelsafe Grate 10"	408031	36.5	4.1	AISI 304	L15	Medium Duty
	408131	36.5	4.1	AISI 316L	L15	Medium Duty
Heelsafe Grate 12"	408040	52.7	5.8	AISI 304	L15	Light Duty
	408140	52.7	5.8	AISI 316L	L15	Light Duty

Specification Clause

Used with ACO FloorDrain. Made from AISI 304 or AISI 316L. Pickled passivated finish. Load class per ASME A112.6.3, section 5. Complies with ADA - American Disabilities Act of 2010 Section 302.3. Slip-resistant (BPN >24).

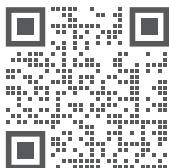
ADA-compliant per The Americans with Disabilities Act of 2010, Section 302.3

Slip-resistant:
BPN > 24 based on Pendulum Test

ACO, Inc.

© January 2026 ACO, Inc.

All reasonable care has been taken in compiling the information in this document. All recommendations and suggestions on the use of ACO products are made without guarantee since the conditions of use are beyond the control of the company. It is the customer's responsibility to ensure that each product is fit for its intended purpose and that the actual conditions of use are suitable. ACO, Inc. reserves the right to change products and specifications without notice.



info@acousa.com
www.acousa.com

