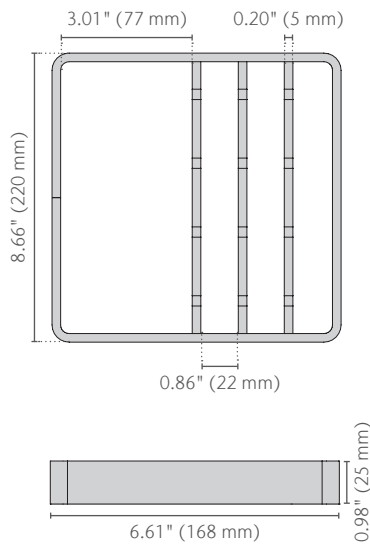


Half Ladder Grate Spec Sheet



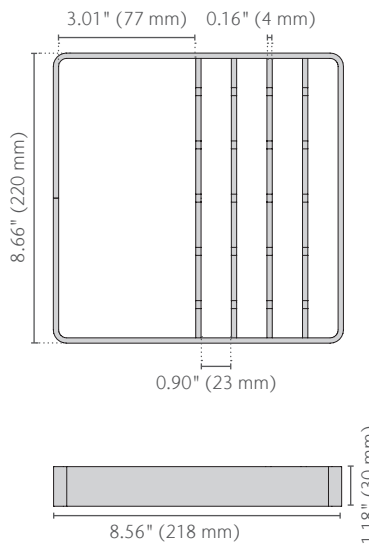
Half Ladder Grate 8" LD 304/316L

part no. 416918/416919



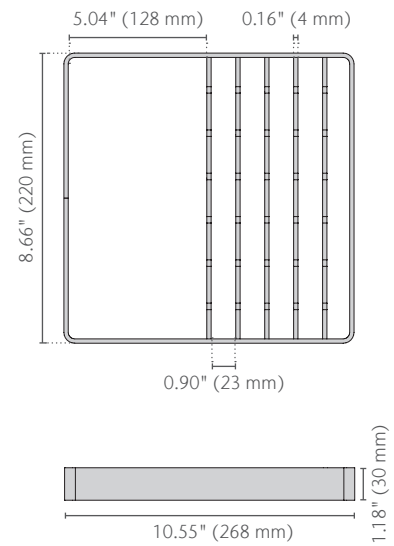
Half Ladder Grate 10" LD 304/316L

part no. 416920/416921



Half Ladder Grate 12" LD 304/316L

part no. 416922/416923



Product Name	Part No.	Intake in ²	Weight lbs	Material	EN1253 Load Class	ASME Load Class
Half Ladder Grate 8"	416918	35.0	2.4	AISI 304	L15	Light Duty
	416919	35.0	2.4	AISI 316L	L15	Light Duty
Half Ladder Grate 10"	416920	63.1	3.5	AISI 304	L15	Light Duty
	416921	63.1	3.5	AISI 316L	L15	Light Duty
Half Ladder Grate 12"	416922	96.7	4.8	AISI 304	L15	Light Duty
	416923	96.7	4.8	AISI 316L	L15	Light Duty

Specification Clause

Used with ACO FloorDrain. Made from AISI 304 or AISI 316L. Pickled and passivated finish. Fully drainable, inspectable and cleanable. Slip-resistant (BPN >24).

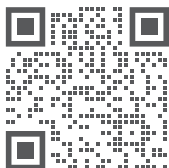


Slip-resistant:
BPN > 24 based on Pendulum Test

ACO, Inc.

© January 2026 ACO, Inc.

All reasonable care has been taken in compiling the information in this document. All recommendations and suggestions on the use of ACO products are made without guarantee since the conditions of use are beyond the control of the company. It is the customer's responsibility to ensure that each product is fit for its intended purpose and that the actual conditions of use are suitable. ACO, Inc. reserves the right to change products and specifications without notice.



info@acousa.com
www.acousa.com

