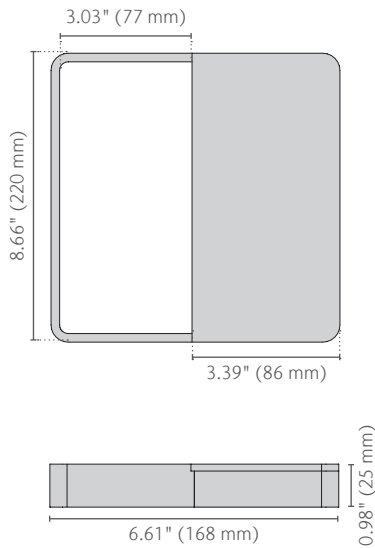


Half Plate Grate Spec Sheet



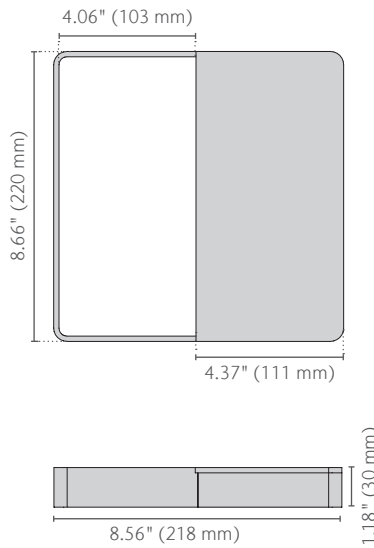
Half Plate Grate 8" LD 304/316L

part no. 416928/416929



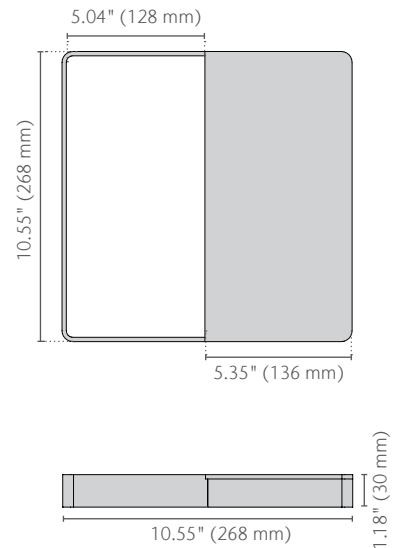
Half Plate Grate 10" LD 304/316L

part no. 416926/416927



Half Plate Grate 12" LD 304/316L

part no. 416924/416925



Product Name	Part No.	Intake in ²	Weight lbs	Material	EN1253 Load Class	ASME Load Class
Half Plate Grate 8"	416928	18.8	2.6	AISI 304	L15	Light Duty
	416929	18.8	2.6	AISI 316L	L15	Light Duty
Half Plate Grate 10"	416926	33.6	4.0	AISI 304	L15	Light Duty
	416927	33.6	4.0	AISI 316L	L15	Light Duty
Half Plate Grate 12"	416924	51.6	5.1	AISI 304	L15	Light Duty
	416925	51.6	5.1	AISI 316L	L15	Light Duty

Specification Clause

Used with ACO FloorDrain. Made from AISI 304 or AISI 316L. Pickled and passivated finish. Fully drainable, inspectable and cleanable. Slip-resistant (BPN >24).

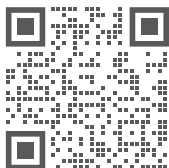


Slip-resistant:
BPN > 24 based on Pendulum Test

ACO, Inc.

© January 2026 ACO, Inc.

All reasonable care has been taken in compiling the information in this document. All recommendations and suggestions on the use of ACO products are made without guarantee since the conditions of use are beyond the control of the company. It is the customer's responsibility to ensure that each product is fit for its intended purpose and that the actual conditions of use are suitable. ACO, Inc. reserves the right to change products and specifications without notice.



info@acousa.com
www.acousa.com

