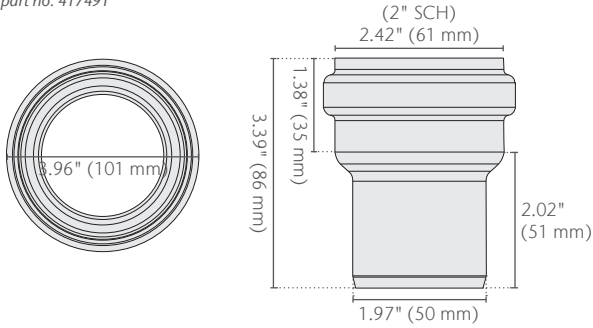


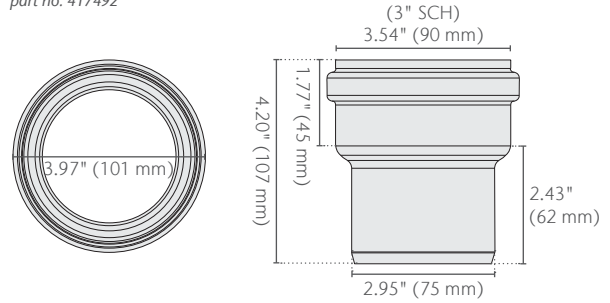
Increaser Coupler (Imperial to Metric) Spec Sheet



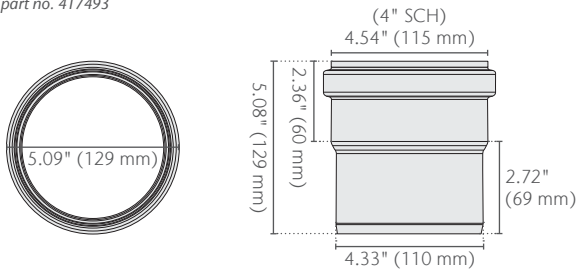
2" - D50
part no. 417491



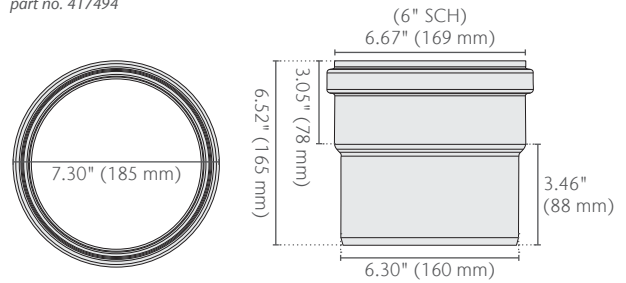
3" - D75
part no. 417492



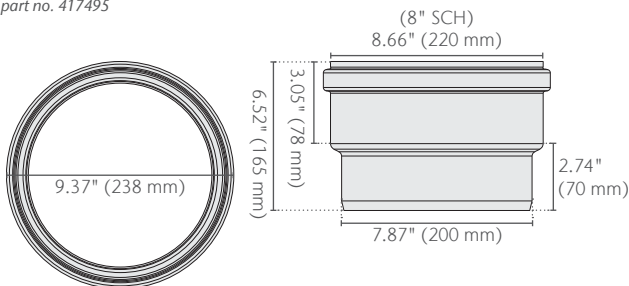
4" - D110
part no. 417493



6" - D160
part no. 417494



8" - D200
part no. 417495



Increaser Coupler (Imperial to Metric) Spec Sheet



Parts	Part No.	Thickness in (mm)	Material	Gasket Material	Weight lbs
2" - D50 Pipe Increaser Coupler	417491	0.04 (1)	AISI 316L	EPDM	0.3
3" - D75 Pipe Increaser Coupler	417492	0.04 (1)	AISI 316L	EPDM	0.3
4" - D110 Pipe Increaser Coupler	417493	0.04 (1)	AISI 316L	EPDM	0.5
6" - D160 Pipe Increaser Coupler	417494	0.05 (1.3)	AISI 316L	EPDM	0.7
8" - D200 Pipe Increaser Coupler	417495	0.06 (1.5)	AISI 316L	EPDM	0.8

Specification Summary

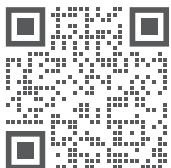
Used with imperial male end pipe. Made from AISI 316L. Used to transition imperial male end pipe section (SCH05/10/40/80) to a metric outside diameter for use with metric ACO Pipe. Resistant to thermal and dynamic shocks. Rodent-proof and sag-proof. Non-combustible. Double lip seal push-fit connection. Designed for gravity piping system. FPM or NBR gasket material also available upon request. Manufactured to EN 1124-1 and 1124-2.

ACO recommends checking local plumbing codes prior to installation.

ACO, Inc.

© January 2026 ACO, Inc.

All reasonable care has been taken in compiling the information in this document. All recommendations and suggestions on the use of ACO products are made without guarantee since the conditions of use are beyond the control of the company. It is the customer's responsibility to ensure that each product is fit for its intended purpose and that the actual conditions of use are suitable. ACO, Inc. reserves the right to change products and specifications without notice.



info@acousa.com
www.acousa.com

