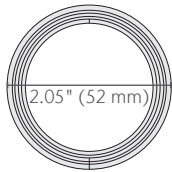
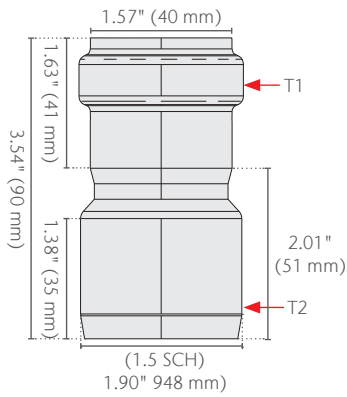


Increaser Coupler (Metric to Imperial) Spec Sheet



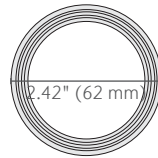
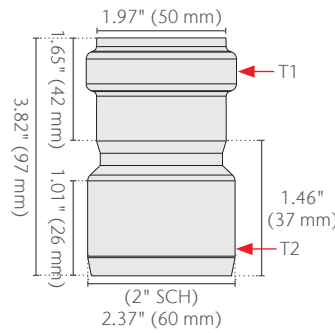
D40 - 1.5"

part no. 417541



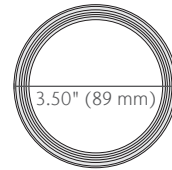
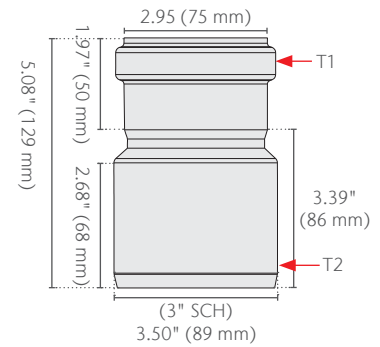
D50 - 2"

part no. 417501



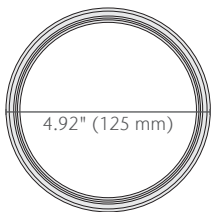
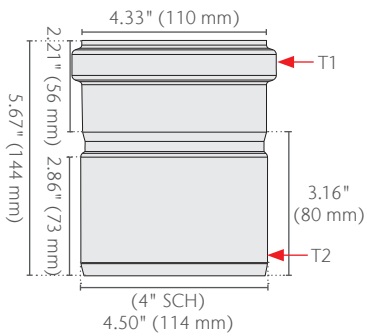
D75 - 3"

part no. 417502



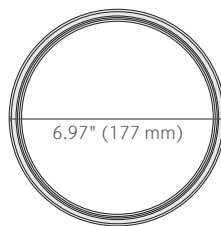
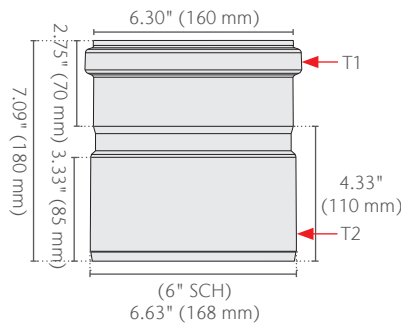
4" - D110

part no. 417503



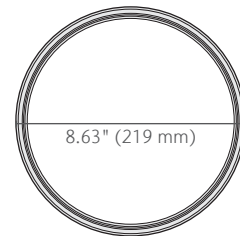
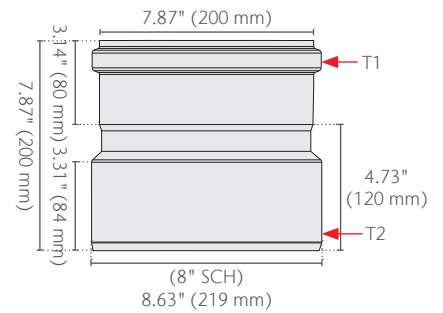
6" - D160

part no. 417504



8" - D200

part no. 417505



Increaser Coupler (Metric to Imperial) Spec Sheet



Parts	Part No.	Thickness (T1) in (mm)	Thickness (T2) in (mm)	Material	Gasket Material	Weight lbs
D40 - 1.5" Pipe Increaser Coupler	417541	0.04 (1)	0.06 (1.6)	AISI 316L	EPDM	0.5
D50 - 2" Pipe Increaser Coupler	417501	0.04 (1)	0.06 (1.6)	AISI 316L	EPDM	0.5
D75 - 3" Pipe Increaser Coupler	417502	0.04 (1)	0.06 (1.6)	AISI 316L	EPDM	0.9
D110 - 4" Pipe Increaser Coupler	417503	0.04 (1)	0.06 (1.6)	AISI 316L	EPDM	1.4
D160 - 6" Pipe Increaser Coupler	417504	0.05 (1.3)	0.08 (2)	AISI 316L	EPDM	2.8
D200 - 8" Pipe Increaser Coupler	417505	0.06 (1.5)	0.16 (4.1)	AISI 316L	EPDM	6.6

Specification Summary

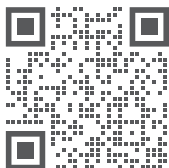
Used with ACO Pipe outlet spigots. Made from AISI 316L. Used to transition a metric male end pipe section to an imperial outside diameter (SCH05/10/40/80) where then a no-hub coupler is typically used, sold separately. Resistant to thermal and dynamic shocks. Rodent-proof and sag-proof. Non-combustible. Double lip seal push-fit connection. Designed for gravity piping system. NBR gasket material also available upon request. Manufactured to EN 1124-1 and 1124-2.

ACO recommends checking local plumbing codes prior to installation.

ACO, Inc.

© January 2026 ACO, Inc.

All reasonable care has been taken in compiling the information in this document. All recommendations and suggestions on the use of ACO products are made without guarantee since the conditions of use are beyond the control of the company. It is the customer's responsibility to ensure that each product is fit for its intended purpose and that the actual conditions of use are suitable. ACO, Inc. reserves the right to change products and specifications without notice.



info@acousa.com
www.acousa.com

