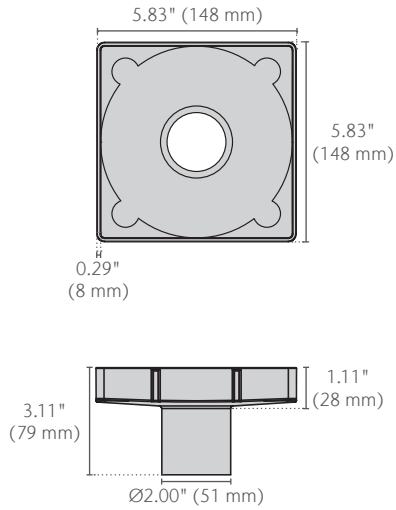


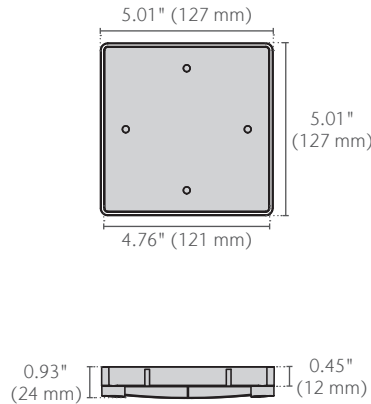
# ShowerPoint 6in Tile-In Point Drain Spec Sheet



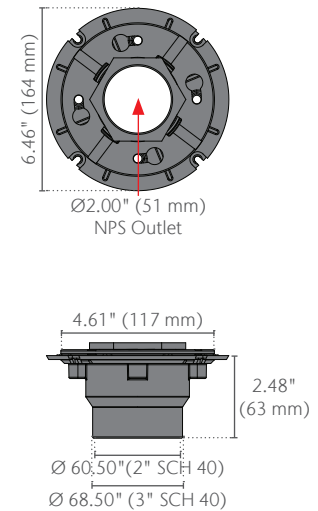
## 6" Point Drain Body (Tile-In)



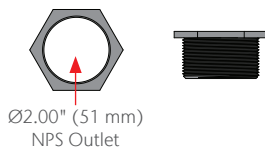
## 6" Tile-In Grate



## Drain Flange Coupling



## Threaded Adapter



Parts	Part No.	Grate Material	Intake in <sup>2</sup> (cm <sup>2</sup> )	Weight lbs
6" Tile-In Grate - Polished Stainless	37100	AISI 304	6.31 (41)	2.0

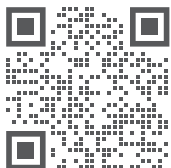
## Specification Summary

6" Point Drain Body material is ABS. ACO Plus ShowerPoint is available in complete units only. ACO recommends checking local plumbing codes prior to installation.

## ACO, Inc.

© January 2026 ACO, Inc.

All reasonable care has been taken in compiling the information in this document. All recommendations and suggestions on the use of ACO products are made without guarantee since the conditions of use are beyond the control of the company. It is the customer's responsibility to ensure that each product is fit for its intended purpose and that the actual conditions of use are suitable. ACO, Inc. reserves the right to change products and specifications without notice.



info@acousa.com  
www.acousa.com

