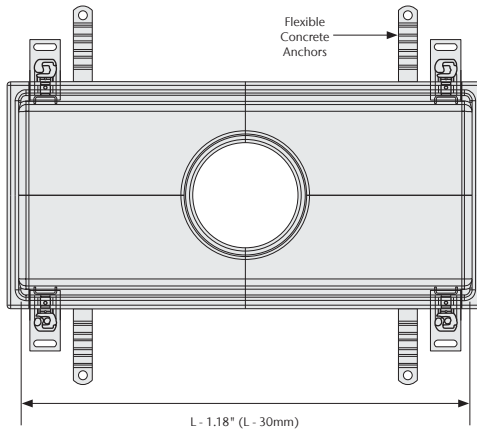
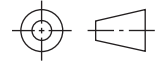


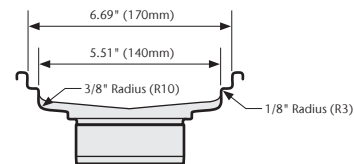
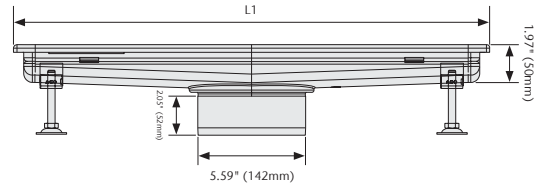
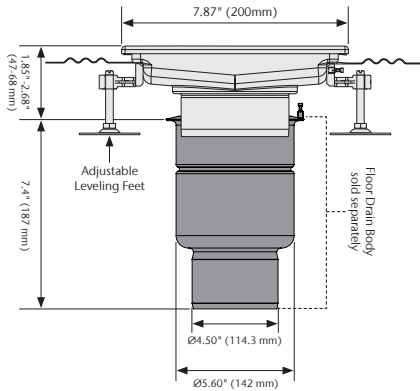
# 8" Hygienic BoxDrain200 Channels



### Specification Clause

ACO Hygienic BoxDrain. Overall length and height varies, see tables. Made from 16ga (1.5 mm) AISI 304 or AISI 316L, pickle passivated finish. Used with 10" Floor Drains. Multiple outlet options available. Number of concrete anchors and adjustable leveling feet varies by channel length. Multiple grate options available. Certified to NSF/ANSI/3-A Standard 14159-1.

ACO recommends checking local plumbing codes prior to installation.



Part No.	Length (L1) in (mm)	Material	Weight lbs
<b>416590</b>	21 (530)	AISI 304	6.3
<b>416608</b>	21 (530)	AISI 316L	6.3
<b>416591</b>	32 (830)	AISI 304	8.9
<b>416609</b>	32 (830)	AISI 316L	8.9
<b>416592</b>	40 (1030)	AISI 304	10.2
<b>416610</b>	40 (1030)	AISI 316L	10.2
<b>416593</b>	48 (1230)	AISI 304	11.6
<b>416611</b>	48 (1230)	AISI 316L	11.6
<b>416594</b>	60 (1530)	AISI 304	14.3
<b>416612</b>	60 (1530)	AISI 316L	14.3
<b>416595</b>	80 (2030)	AISI 304	17.7
<b>416613</b>	80 (2030)	AISI 316L	17.7

## ACO, Inc.

West Sales Office  
825 W. Beechcraft Street  
Casa Grande, AZ 85122  
Tel: (520) 421-9988  
Toll-Free: (888) 490-9552  
Fax: (520) 421-9899

Northeast Sales Office  
9470 Pinecone Drive  
Mentor, OH 44060  
Tel: (440) 639-7230  
Toll-Free: (800) 543-4764  
Fax: (440) 639-7235

Southeast Sales Office  
481 Munn Road  
Suite 225  
Fort Mill, SC 29715  
Toll-Free: (800) 543-4764  
Fax: (803) 802-1063

info@acousa.com  
www.acousa.com

© March 2023 ACO, Inc.  
All reasonable care has been taken in compiling the information in this document. All recommendations and suggestions on the use of ACO products are made without guarantee since the conditions of use are beyond the control of the company. It is the customer's responsibility to ensure that each product is fit for its intended purpose and that the actual conditions of use are suitable. ACO, Inc. reserves the right to change products and specifications without notice.

ACO. we care for water



ACO Specification Information